

Turning Rolls

▶ ▶ *TR-KB series*



■ TR-90KB

Features

- Capacities range from 15,000 to 90,000 kilograms.
- Main base frames are fabricated and stress relief before machining.
- Superior worm gears & helical drive gears are designed to provide high torque and low backlash.
- Synchronized AC inverter drive control for two motors.
- Metallic rollers are bounded with natural rubber.
- TR-K series designed with symmetrical roller for quick and accurate centering adjustment.
- TR-KB series are bolt type for diameter adjustment.
- Hand pendant with Forward-Stop-Reverse, speed potentiometer and fast button are standard.
- High frequency protected.
- Fast/Slow footswitch - optional.

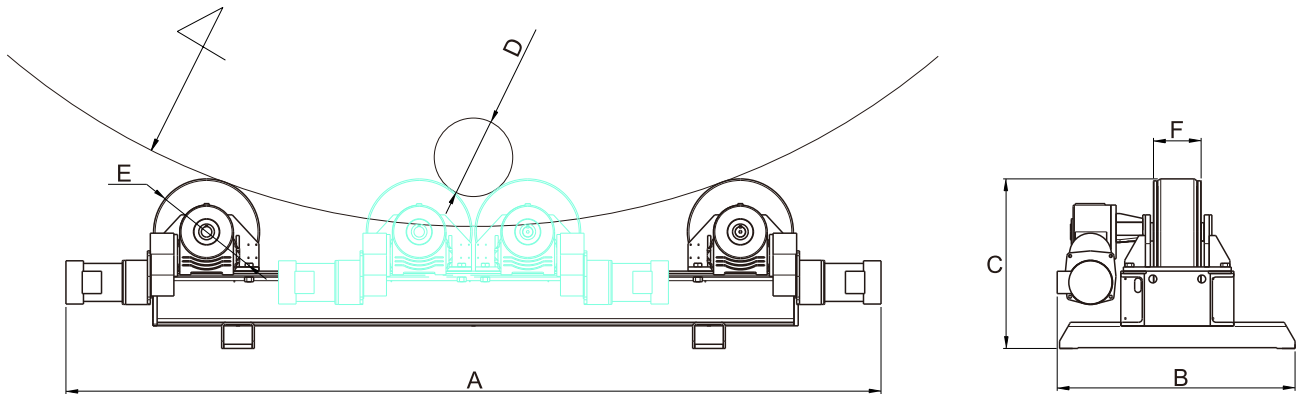
Specifications

| Specification | | | | | | | | | | |
|--|--------|---------------------------------------|--------------------------------------|---------------------------------------|-----------------------------------|-------------------|-------------------------------------|----------------------|----------------------|------------------------|
| Model ^{※1} | Unit | TR-0100/0102 | TR-3504 | TR-1000B | TR-3500B | TR-6000B | TR-15KB | TR-30KB | TR-45KB | TR-60KB |
| Power input | | AC 110 / 220V 50 / 60Hz 1 phase | AC 220~ 240V 50 / 60Hz 1 phase | AC 110 / 220V 50 / 60Hz 1 phase | AC 220~240V 50 / 60Hz, 1 phase | | AC 220 / 380V 50 / 60Hz, 3 phase | | | |
| Drive motor | hp | 1/12 | 1/2 | 1/12 | 1/2 | 1/2 | 1/2 + 1/2 | 1 + 1 | 2 + 2 | 2 + 2 |
| Overall length (A) (drive / idler) | mm | 542 / 450 | 780 / 700 | 1,330 / 1,260 | 1,520 / 1,260 | 1,670 / 1,260 | 3,000 / 2,480 | 3,120 / 2,480 | 3,240 / 2,480 | 3,360 / 2,480 |
| Overall width (B) (drive / idler) | mm | 320 / 160 | 425 / 280 | 300 / 300 | 500 / 400 | 500 / 400 | 800 / 800 | 900 / 860 | 950 / 910 | 1,000 / 960 |
| Overall height (C) (drive & idler) | mm | 335 | 520 | 391 | | | 650 | | | |
| Turning capacity (drive + idler) ^{※2} | kgs | 1,000 | 3,500 | 1,000 | 3,500 | 6,000 | 15K | 30K | 45K | 60K |
| Diameter range (D) | mm | ∅20 ~ 800 | ∅ 9 ~ 1,400 | ∅ 50 ~ 3,000 | | | ∅ 300 ~ 5,500 | | | |
| Speed range | mm/min | 80 ~ 1,600 | 60 ~ 1,200 | 60 ~ 1,200 | | | 100 ~ 1,500 | | | 100 ~ 1,350 |
| Wheel diameter (E) | mm | ∅200 | ∅200 | ∅200 | | | ∅405 | | | |
| Wheel width (F) | mm | 50 | 100 | 50 | 100 | 150 | 125 | 180 | 230 | 280 |
| Wheel type | | PU | | | | | Rubber | Rubber metal | | |
| Weight (drive / idler) | kgs | 54 (37 / 17) | 165 (110 / 55) | 97 (57 / 40) | 171 (102 / 69) | 242 (150 / 92) | 1,207 (674 / 533) | 1,390 (810 / 580) | 1,620 (930 / 690) | 1,850 (1,050 / 800) |

※1 "B" means advisable bolt type
 ※2 (drive + idler) means 1+1. More idlers are available.
 ※※ Special capacity please contact us

Specifications subject to change without notice

Dimensions



■ TR-30KB with rail

UNITED PROARC CORPORATION

No.3, Gungye 10th Road, Pingjen Industrial Park, Pingjen Dist., Taoyuan City 32459, Taiwan
 Tel: 886-3-4696600 Fax: 886-3-4694499 <http://www.proarc.com.tw> E-mail:sales@proarc.com.tw